

# SnapSights SS-1000 Waterproof Video Camera

## User Instructions

### 1. Get to know your camera

#### 1.1 Features

3 in 1, 5 mega pixels Digital Camera (by interpolation to 5m)

1.3 Mega pixels resolution sensor

Video clips, USB disk micro SD card reader

Memory card slot

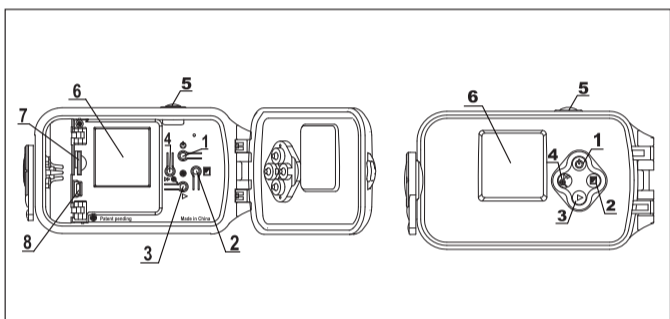
#### 1.2 Specifications

Image resolution	5 Mega pixels: (2560 x 1920) (Hardware Interpolation)
	3 Mega pixels: (2048x1536) (Hardware Interpolation)
	1.3 Mega pixels: (1280x960)
	VGA Mega pixels: (640x480)
Video mode	Up to 30fps@QVGA & 20fps@VGA
Sensor	1.3 Mega pixel CMOS sensor
Lens	Fixed Focus F/3.1 f=6.5mm
Focus range	0.5m ~ Infinity
Digital zoom	4x
LCD display	1.4" color STN
Built in memory	16MB nand flash memory
External Memory	micro SD card up to 2 GB
File format	Picture : JPEG, Video : AVI
Self timer	10 seconds
PC interface	USB 1.1
Power source	2xAAA alkaline batteries
Power saving	Auto off when idle for about 60s

#### 1.3 System requirement:

Operating System	Windows 2000/ME/XP/Vista/7
	Mac 9.x or X.x
CPU	Pentium II or above
RAM	At least 64MB
Interface	USB port
CD	4x speed CD ROM or above

#### 2. Functional parts:



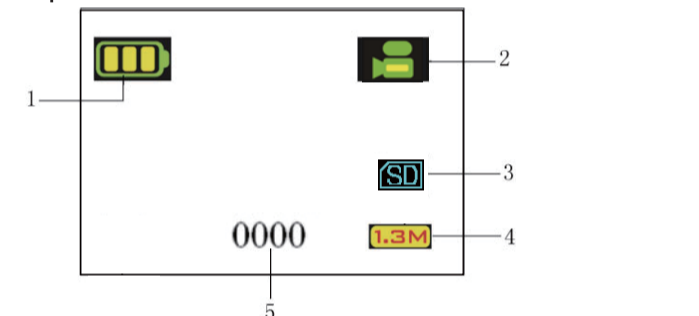
1	Power button	To turn on or switch off
2	Mode / menu button	Press to select different mode Press and hold it to enter/exit setting menu
3	Next button	For menu next selection
4	Zoom button	Digital zoom in/out
5	OK/Shutter button	Press to take photographs Or start/stop recording a video clip Or confirm changes during menu setting Or play video clip
6	LCD screen	View photographs, video clips, camera setting and menu
7	SD card slot	Micro SD card slot
8	USB interface	Connect via computer USB port to transfer files, photos and video clips

### 3. See following details to setting your digital camera.

Photo	Resolution	5M, 3M, 1.3M, VGA	Level of pixel resolution
	Photo quality	★★★★ ★★★ ★★ ★	Fine Normal Economy
	Self-timer shot	X 10s	Disable self-timer Set the delay time at 10s to take a picture
	Photo-frame	Combines selected photo-frame with photo objects	Select different background
	Default setting	Load	Restore default settings
Video	Electricity Frequency	50Hz 60Hz	For European electricity frequency For American electricity frequency
	USB connection	Mass-storage mode	Act as a hard disk
Playback	Resolution	VGA, QVGA	Level of pixel resolution
	Delete	Delete One (Default)	Delete the selected picture or video
Format storage card	Format storage card	Format at storage card	All files will be erased !!!

Note: When turned off, camera will retain last settings used.

#### 4. Explanation of the status icons on the LCD screen.

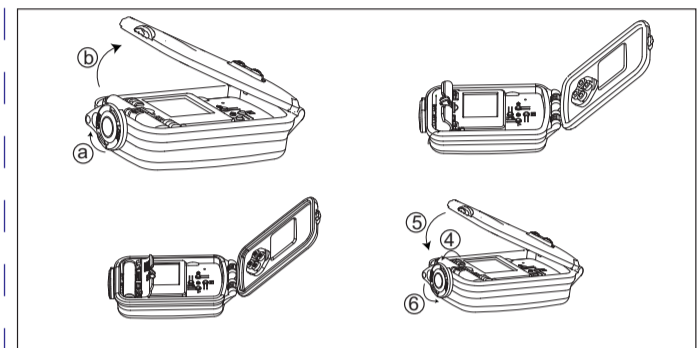


Item	Function	Description
1	Battery status indicator	Full power
		Out of power
2	Recording mode	Recording video clips
		Taking photos
		View photos or play back video clips
3	Memory or SD card indicator	Store pictures in built-in memory Store Pictures in SD card
4	Photo resolution	5M=2560x1920; 3M = 2048x1536; 1.3 M=1280x960; VGA=640x480;
5	Photo / Video counter	Number of pictures or video clips

### 5. Using the camera

#### 5.1 Installing the batteries

- Open rear waterproof cover.
  - Twist cover latch clockwise until it releases.
  - Raise cover.
- Gently squeeze battery cover latch and lift.
- Install 2 AAA batteries making sure to follow correct polarity.
- Close battery cover.
- Close rear cover.
- Twist and lock latch cover.



#### 5.2 Inserting a memory card (not included)

- Open rear waterproof cover.
  - Twist cover latch clockwise until it releases.
  - Raise the cover.
- Insert Micro SD card (2G Maximum) into card slot.  
IMPORTANT: Card is designed to only fit one way. DO NOT FORCE.
- Press card firmly into slot until it clicks into locked position.
- To remove card, press down on card and it will release.
- IMPORTANT NOTE: Card must be formatted prior to use.  
See section 5.9 for formatting instructions.
- If there is memory card, the camera will be ready in video mode when switched on. (see 5.7)

### 5.3 Setting your camera

Options of the camera can be set under corresponding mode.

- Press MODE button to select the mode (picture or video) you want to set.
- Press and hold the MODE button to enter system setting menu.
- Select what you want to set by NEXT button then press OK/shutter to confirm.
- Set the option you selected, and press OK again to confirm.
- Press MODE to exit.

#### 5.4 Taking photographs

- Turn the camera on by pressing the ON/OFF button.
- Set the camera to photo mode ().
- Watch the subject you wish to photograph, through the LCD screen.  
\*\*\* Hold the camera steady.
- Press the SHUTTER Button to take a photograph.
- After the LCD screen resume to normal display, the camera is ready for taking next photograph.

Note: If you take photographs with the default camera settings, it is possible that the quality of the photographs will not always be optimal. Different surroundings produce different results. Adjust the camera settings as required.

#### 5.5 Zoom in and out

The camera can zoom in up to 4 times in preview mode or during playback mode, pressing ZOOM button can ZOOM in to 2X,3X,4X and then return to original size.

#### 5.6 Taking photographs using self-timer function

You can use the self-timer function if you wish to take a photograph of yourself the camera must be as still as possible, for example on a stand.

- Set the camera to photo mode ().
- Press and hold the MODE button. The set menu will appear.
- Press NEXT to select self-timer mode, and press OK to confirm.
- Setting the time with NEXT button(10S), and press OK to confirm.
- Press MODE to complete your setting. The self-timer function is now ready for use, and the ICON is shown on the top of the LCD.
- Aim the object you wish to photograph.
- Press the shutter button to start.
- The camera will count down and take the photograph when down to zero.

#### 5.7 Recording video clips

- Press the MODE button to select video mode ().
- Press the shutter button to start recording video, press the shutter button again for a stop.  
The video clip will now be saved as an AVI file.
- You can press and hold MODE to set proper resolution, and press shutter to confirm.

### 5.8 Playback photographs or video clips

- Press MODE to select view / Playback, it will show video clips or photo pictures on the LCD
- Press NEXT to review next photo or video clip.
- Press MODE again to exit the Playback mode.

Note: The video clip will play if you select it by pressing the OK key.

#### 5.9 Delete photographs and video clips

You can choose to delete a single photograph / video clip, or Format the memory to erase all files.

Follow the instructions given below to delete photograph/video clips.

- Press MODE to select playback mode.
  - Show the photo or video clip you want to delete with NEXT key.
  - Press and hold MODE button to enter the menu.
  - Select Delete one / Format memory by NEXT key, then press OK to confirm.
  - Select and press OK to reconfirm deletion.
  - You can press MODE to cancel deletion and exit during the operation.
- Warning: Format memory , All files in the camera will be deleted.

### 6. Connecting the camera

The camera can be connected to the computer in two different modes: mass storage device (USB disk) and PC camera.

#### 6.1 Connecting as a mass storage device(USB disk)

This option makes it possible to copy and transfer files download photographs and video clips onto your computer.

- Press and hold MODE button to enter system setting menu.
- Press NEXT button 6 times to select USB connection, and press OK to confirm.
- Press NEXT button to choose the mass storage mode.
- Press OK to confirm.
- Connect the camera to the computer.
- Windows will automatically detect the camera. You can use this camera as a removable disk (USB disk).

#### 6.2 Connecting as a PC camera

When you connect the camera as a PC camera:

- Press and hold MODE button to enter setting menu.
- Press NEXT button 6 times to select USB connection, and press OK to confirm.
- Press NEXT button to choose the PC camera mode.
- Press OK to confirm.
- Connect the camera to the computer.
- Windows will automatically detect the camera.

### 7. Trouble shooting

Problem	Cause	Solution
Cannot turn on the camera by pressing the "power" button.	Low battery power, battery is missing or inserted incorrectly	replace or Install the battery correctly.
Photos are not saved or missing when taking pictures.	The memory hasn't been formatted properly in the camera.	Format the memory in system set mode of the camera. Please refer to section 5.9.
Cannot find removable disk after connecting the camera to the computer via USB.	1. Connection failure. 2. The mode of the camera is not set to removable disk properly	1. Make sure all cable connections are secured and restart the computer. 2. Set the camera to removable, disk refer to section 6.3.1 (system setting, USB connection).
The batteries used up easily	Use wrong type battery.	Replace with fresh alkaline battery.
The photos are blurry	1. The camera is not held steadily 2. The lens of camera is dirty	1. Hold the camera steadily until it beeps when takes photo. 2. Clean the lens with soft dry cloth.
Get a warning message: "Capture device was not detected" when trying to open PC cam.	1. Conflict with another camera or capture device. 2. The mode of the camera is not set to PC cam mode properly.	1. Remove any other camera driver completely from your system. Sometimes you have to re-install your system. 2. Set the camera to PC cam mode, refer to section 6.3.2 (system setting, USB connection).

#### HOUSING CARE AND MAINTENANCE

##### Important Notes:

Keep SS 1000 out of direct sunlight whenever possible.

##### Maintenance:

Rinse thoroughly with cool fresh water after each use. Wipe dry with soft cloth prior to opening. Never open when wet. Make sure O-ring is clean and free of debris. Keep O-ring lightly lubricated with Silicon grease.

##### Storage:

Store in a cool, dry location. Store with back slightly open to prevent O-ring compression.

